



Queenscliff Netball Club

2020 Registration Information Pack for

- **Seniors, O/35years & Mixed Teams**

Welcome to the 2020 season of netball with Queenscliff Netball Club (QNC).

All registrations for the 2020 winter season must be done online via www.queenscliffnetball.asn.au

Registration opens on Wednesday January 9 2020.

Registration for Seniors, Mixed & Over 35 years will close on Wednesday 26 February 2020

Late registrations will only be accepted if there are team positions available and will incur an additional \$20 processing fee. Late Registration will not open until Tuesday 31 March 2020.

- **AGE GROUPS**

Please note that new to 2019 MWNA introduced a Cadets Division that replaced the U/17 Division. Cadets will include U/16, U/17 & U/18 Players i.e. one extra age group has been added.

MWNA also decided to introduce an Over 35 Years Masters Age Group. Players cannot play on both Open & O/35 years. They need to choose just one Competition to participate in.

Players competing in the Mixed competition may be able to participate in more than one category.

All categories will continue in 2020.

We cannot guarantee individual registration if you do not have a pre-organised team. Please contact the Seniors Registrar with any queries around Team formation.

- **REGISTRATION FEES 2020**

Age group	Registration Fee*
<ul style="list-style-type: none">• Seniors (18+ years)	\$220
<ul style="list-style-type: none">• Mixed	
<ul style="list-style-type: none">• Over 35 Years	

*plus an additional payment processing fee of 31c fixed plus 2.00% per online transaction.

- **ACTIVE KIDS REBATE**

Active Kids is a program to help NSW families meet the cost of getting their kids into sport and active fitness and recreation activities. The NSW Government will provide a \$100 voucher to parents/guardians of school enrolled children. The \$100 voucher can be used for registration and participation costs for sport and fitness activities.

The initiative aims to reduce barriers to participation and help change the physical activity behaviours of children and young people in NSW.

For more information on the Active Kids Rebate please visit the following link. **Players need to be U/18 to utilise this bonus.**

- **REGISTERING USING MY NETBALL**
PLEASE FOLLOW THESE INSTRUCTIONS TO COMPLETE YOUR REGISTRATION

When you reach the My Netball **ONLINE REGISTRATION** page you will be required to LOG IN.

If you are registering an **EXISTING** player, you will need to use their LOG IN ID & PASSWORD as provided in previous years.

If the Player you are registering is **NEW** to Netball, you will need to get a LOG IN ID & PASSWORD. Please click the "DON'T HAVE A LOG IN ID" link and NSW Netball will issue with a LOG IN ID and Password before you can commence Registration.

If you have **FORGOTTEN** your ID, please click on the "FOGOTTEN LOG IN" link and you will be taken through a process to find the ID. Nearly all players who played last year will have an ID in the system. Please Note, you must use the player's name and date of birth, **NOT** that of the parent when locating your ID if its been forgotten. You will find your ID very quickly but may need to create a new Password.

Once logged in the rest of the process should be straightforward, just follow the instructions and answer all the questions. When registration is complete there is a **Return Home** link which takes you to the MyNetball home page associated with Queenscliff. Bookmark this page and use it to login to MyNetball with your ID in future to manage your subscriptions, playing status, umpiring courses, etc.

You cannot register to play without ensuring you have an ID and paying for your Registration through MyNetball. In accordance with NSW Netball Guidelines unfortunately we cannot provide physical registration any longer.

- **PLAYERS NEW TO QNC BUT HAVE PLAYED PREVIOUSLY IN NSW**

If you were registered with another Club in NSW in previous years follow the instructions above.

If you are completely new to netball then you must create a new record. You will also have to provide additional documentation (see below).

- **REGISTRATION TERMS & CONDITIONS**

The terms and conditions of registration are clearly spelled out on the QNC website and in the online forms. You must agree to abide by the ;

- Netball NSW Code of Conduct Netball NSW Inclusion & Anti Bullying Policy
- QNC Player & Parent Participation Policy and fulfillment of all requirements for umpiring (12 years and above) and duty rosters (parents);
- QNC Grading Policy.

If you don't agree with these conditions please do not register yourself or your child!

- **PLAYER WITHDRAWALS & REFUNDS**

Once registered, any refunds for player withdrawal will only be given before 5pm Friday 28 February 2020, (and will incur a \$20 administration fee). After this date, refunds can only be given for medical reasons and will require a medical certificate sent to the Club Secretary. After the above published date QNC are charged for the player and cannot get a refund. We cannot provide refunds until MWNA have approved the refund. Sometimes only partial refunds are provided. Each case is decided separately.

- **PLAYING TIME SLOTS FOR 2020**

Timeslots have changed for 2020. This is to allow for better utilisation of the hard courts and easier management of umpiring duties.

NSG 8 & 9 Years – 7.45am or 8.45am

10 Years – 9.00am

11 Years – 10.20am or 11.40am

12 years – 10.20am or 11.40am

13 years – 9.00am or 10.20am

14 years – 1.00pm

15 years – 10.20am or 11.40am

Cadets (16-18 years) – 1.00pm, 2.20pm or 3.40pm

Seniors – 2.20pm & 3.40pm) with weekly rotation

- **REQUIRED DOCUMENTATION for NEW U/18 PLAYERS**

All players new to Nettas, Juniors & Cadets must provide a copy of their birth certificate or passport to the relevant Registrar (see Committee Contacts below) before the start of the season.

Scanned copies are acceptable.

- **UMPIRING**

The MWNA competition will be Umpire Your Own again in 2020. The change in timeslots has been designed to enable better scheduling for the larger Clubs such as Queenscliff Netball Club. Any enquiries regarding Umpiring should be directed towards Gill Anderson.

- **PHOTO ID CARDS**

MWNA use photo ID's for all teams in the U/10 competition and above. Signatures are NOT required on these cards but players will need to sign the scoresheets for each game and sign a master sheet at the commencement of Game 1.

All NEW players 10 yrs and above must supply a digital photo file. Any photo older than 3 years must also be updated.

Unfortunately you cannot attach the file directly to your MyNetball rego within MyNetball at this stage.

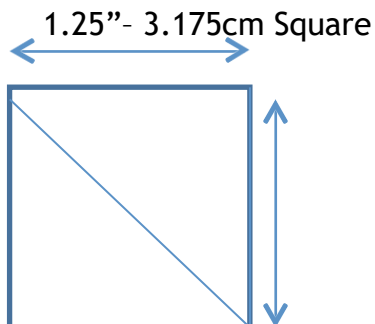
This will therefore be a 2-part process :-

First you will need to register in MyNetball as described above.

Second, once teams have been announced in mid February and coaches and managers appointed for each team you must then email your photo file to your team coach and/or manager. The coach or manager will send all the photo files for their team as a group to the Registrar. Registration is not complete until the photo file is supplied **IN THE CORRECT FORMAT** (described below).

These photo files must be named as the Players MyNetball ID number - for example, 1579548.jpg. It is really important that you get this right, we do not want to have to spend hours looking through photo files and trying to find which MyNetball ID number they belong to.

The images must be in the following format:



File Name	File name MUST be the players MyNetball ID number
File Type	File must be in a JPEG file format
Photo Size	Square aspect ratio 1.25” (3.175 cm) square
Photo	The photo must be a current colour photo 600 dpi

Background	White or light colour background (nothing else in background of photo)
Photo	Neck and face - looking directly at the camera

- **UNIFORMS**

Information regarding playing uniforms can be found on the QNC website under the **Uniforms & Supplies** menu. The annual Uniform Night will be held on Saturday 22 February from 12-5pm. Location TBC.

- **COACHING AND MANAGING**

We are an amateur sports club run by volunteers and can only provide coaches and managers for teams if people volunteer their time. Please consider helping your child's team by volunteering to coach or manage on the registration form. Don't be shy if you don't know much about netball, it is an easy game to learn and there are heaps of resources available. Contact the Club Secretary if you are interested. Details via the website.

The Coaches and Managers Night will be held on Tuesday 10 March from 6-8pm Location TBC

- **IMPORTANT DATES**

All important dates will be posted on the QNC website home page. Please consult it regularly to see if dates/times have changed.

Also, MWNA website (mwna.nsw.netball.com.au) has the full year's netball calendar under the **Calendar** menu.

- **COMMITTEE CONTACTS**

These are listed on the QNC website under the **Contact Us** menu. Please direct registration inquiries to the relevant registrar for the age group. If you have difficulties with the online registration process then contact the Club Secretary or appropriate Registrar for the age group.

We hope you have an enjoyable season in 2020 playing and/or supporting Queenscliff Netball Club. Please remember that this is club sport and is for enjoyment, fitness and making new friends. We should all strive to set a good example to our children if we want them to keep playing in the future!

Have a great season & see you at the Courts.